

October 2018

Time - Three hours  
(Maximum Marks: 75)

(Sketch 'E' and 'F' to accompany)

[N.B: (1) Answer any SEVEN questions in each PART - A and answer division (a) or division (b) in PART - B.

(2) Each question carries 5 marks in PART - A, 40 marks in Part - B.

(3) All questions are to be answered in the Drawing sheet only.]

PART - A

1. Sketch and show the following components of sectional view:  
(i) Cutting plane line (ii) Location of cutting plane (iii) Hatching lines  
(iv) Direction of viewing.
2. Draw revolved section or removed section.
3. Give examples for unilateral and bilateral tolerance.
4. Why hole basis systems are widely used?
5. Define lay.
6. How will you represent the machining symbol when removal of material is not permitted?
7. Sketch and give the proportions of a rectangular sunk key.
8. Sketch acme thread or knuckle thread and show the proportions.

PART - B

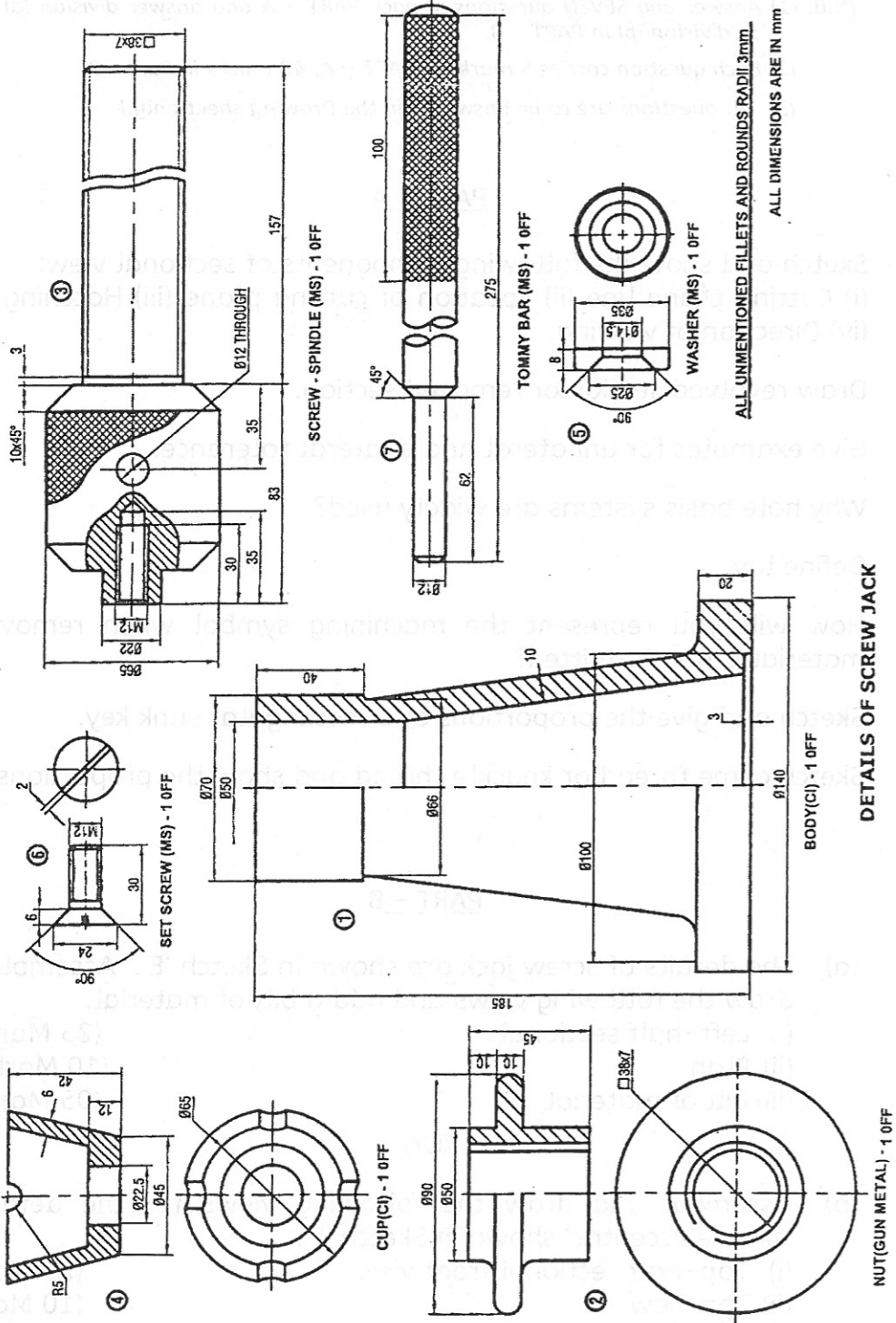
9. (a) The details of screw jack are shown in Sketch 'E'. Assemble and draw the following views and add a bill of material.
 

(i) Left-half sectional	(25 Marks)
(ii) Plan	(10 Marks)
(iii) Bill of material	(05 Marks)
- (Or)
- (b) Assemble and draw the following views for the details of 'simple eccentric' shown in Sketch 'F'.
 

(i) Top-half sectional front view	(25 Marks)
(ii) Top view	(10 Marks)
(iii) Bill of material	(05 Marks)

[Turn over.....

### Sketch 'E' to accompany QP Code 357



### Sketch 'F' to accompany QP Code 357

