

October 2017

Time - Three hours
(Maximum Marks: 75)

[Sketch 'G' and 'H' has to accompany]

[N.B: (1) Answer any SEVEN questions in each PART - A and answer division
(a) or division (b) in PART - B.

(2) Each question carries 5 marks in PART - A, 40 marks in Part - B.

(3) All questions are to be answered in the Drawing sheet only.]

PART - A

Marks

1. Name the different types of sections.
2. How are adjacent parts sectioned (hatched) in machine drawing?
3. What do you mean by allowance?
4. Illustrate clearance fit.
5. Define waviness.
6. Mention the different types of lays.
7. Write down the relationship between lead and pitch of a screw thread.
8. List the different types of foundation bolts.

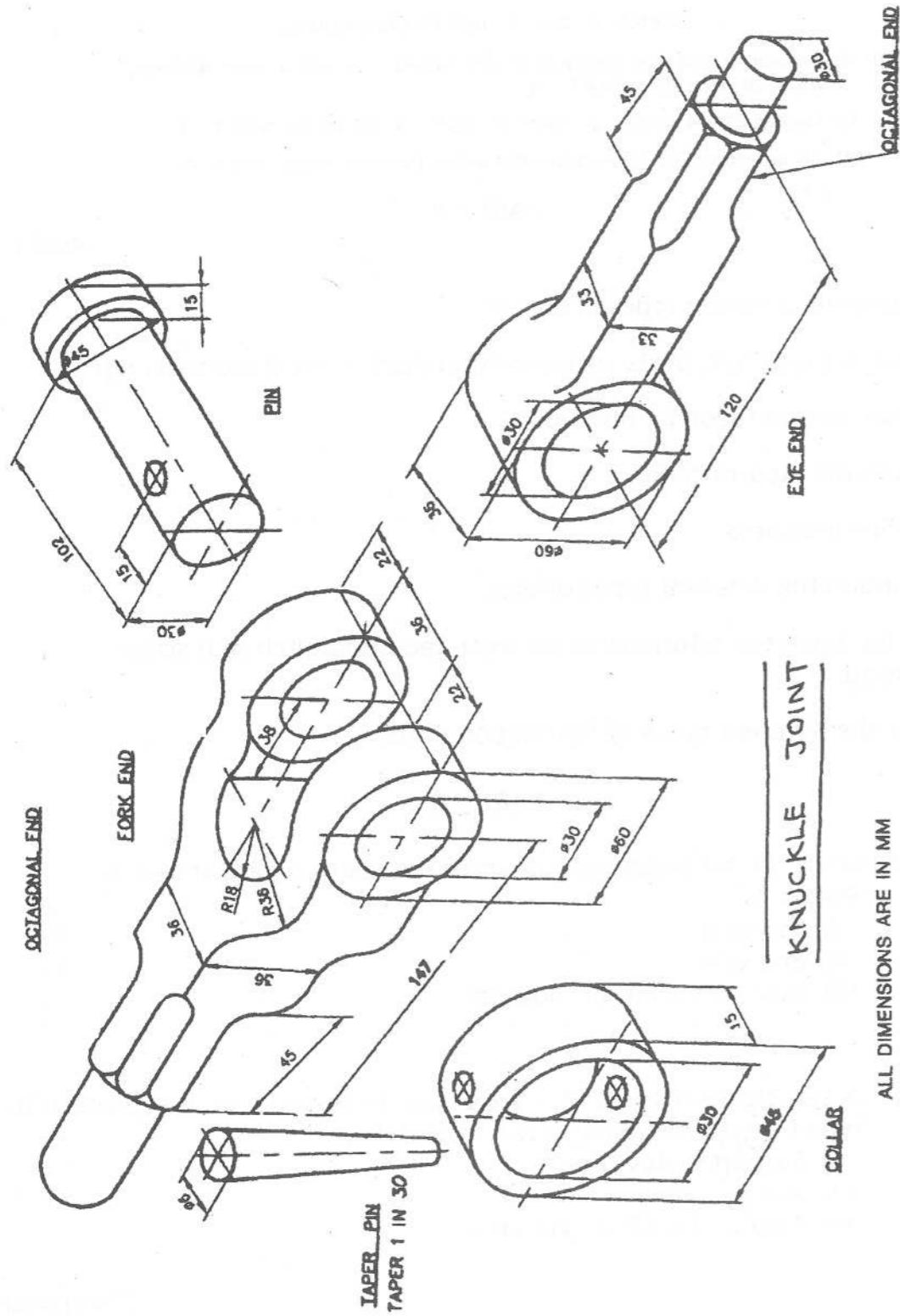
PART - B

9. (a) Draw the following two views of the knuckle joint shown in Sketch 'G'.

(i) Elevation	25
(ii) End view	10
(iii) Also add a bill of material	5
- (Or)
- (b) Assemble and draw the following two views of the protected type flanged coupling shown in Sketch 'H'.

(i) Sectional elevation	25
(ii) Nut end view	10
(iii) Also add a bill of material	5

Sketch 'G' to accompany QP Code: 907



Sketch 'H' to accompany QP Code: 907

